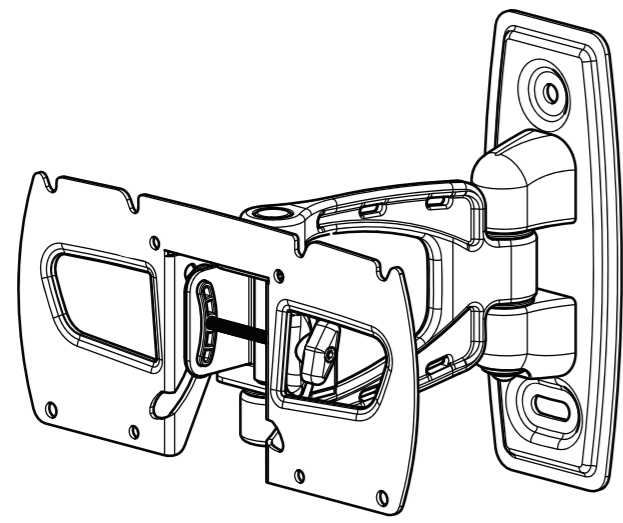


QUICK SETUP GUIDE

RF-TVMFM01



Thank you for choosing the Rocketfish RF-TVMFM01. The RF-TVMFM01 TV mount is designed to support a flat-panel TV weighing up to 15.8 kg (35 lbs.).

Package contents

A Arm assembly (1)

M4 bag

- B** M4 × 12 mm screws (4)
- C** M4 × 30 mm screws (4)
- D** M4 washers (4)
- E** M4 spacers (4)

Hex key bag

F 4 mm (5/32 in.) hex key (1)

Coach Screw bag

G 8 mm (5/16 in.) × 70 mm (2 3/4 in.) coach screw (2)

H Concrete anchor (2)

Cable ties

Hex key bag

F 4 mm (5/32 in.) hex key (1)

Lag Bolt Bag

G 8mm (5/16 in.) × 70 mm (2 3/4 in.) lag bolt (2)

Cable ties

I Cable tie (1)

Tools you will need:

- Stud finder
- Awl
- Pencil
- Level
- Tape measure
- Phillips screwdriver
- Hammer (concrete only)
- Socket wrench with 12.7 mm (1/2 in.) socket or adjustable wrench
- 5.5 mm (7/32 in.) wood drill bit
- 9.5 mm (3/8 in.) masonry drill bit (concrete only)
- Power drill

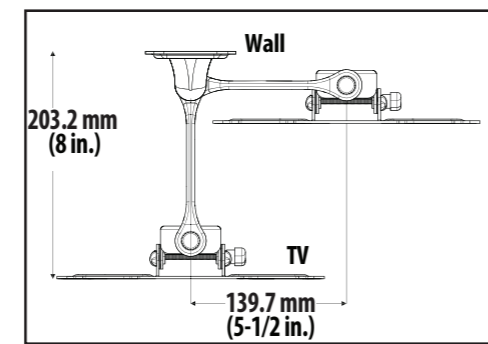
1 Install the arm assembly

Option 1: Installing to a wood stud wall

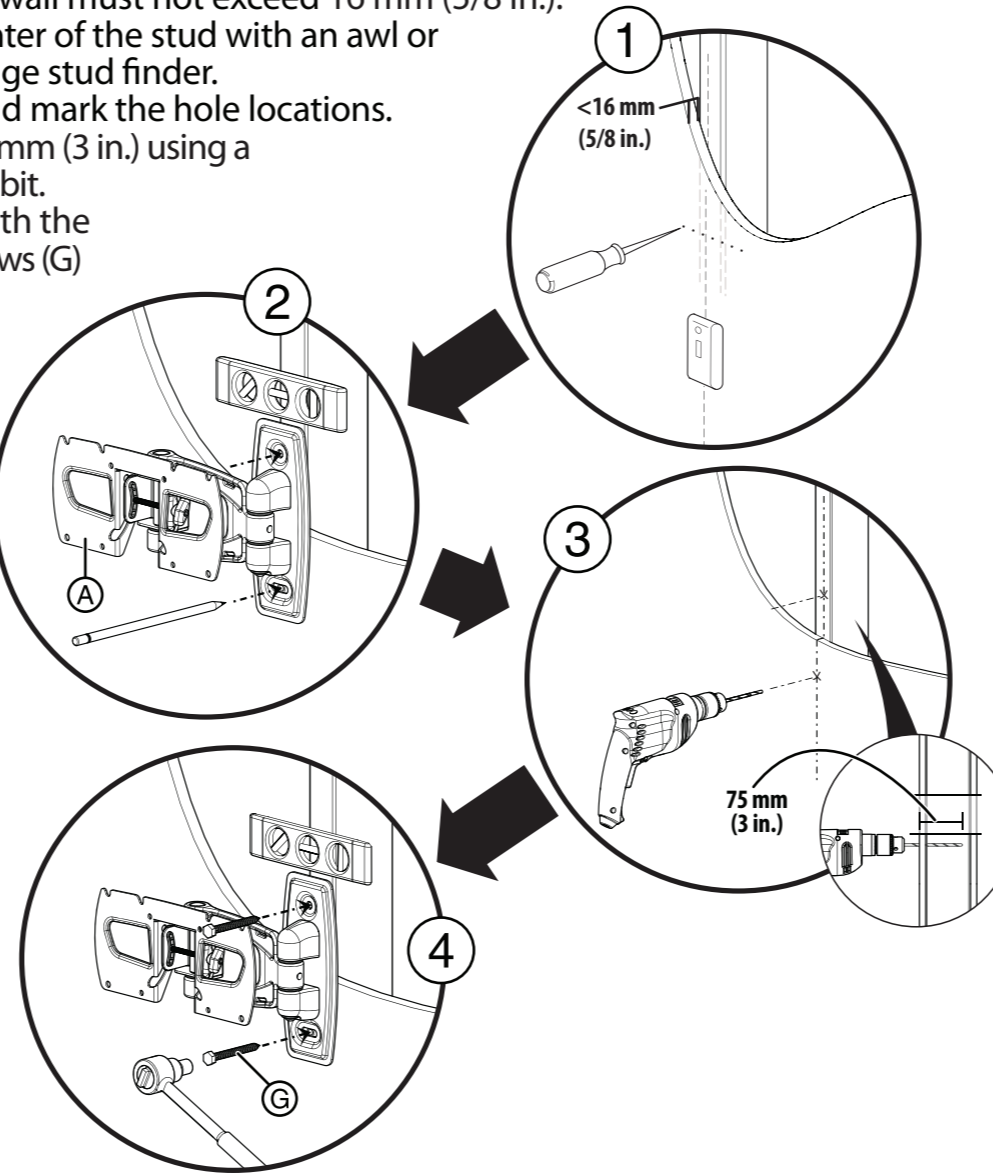
Note: Any material covering the wall must not exceed 16 mm (5/8 in.).

- 1** Locate the stud. Verify the center of the stud with an awl or thin nail or use an edge-to-edge stud finder.
- 2** Level the arm assembly (A) and mark the hole locations.
- 3** Drill pilot hole to a depth of 75 mm (3 in.) using a 5.5 mm (7/32 in.) diameter drill bit.
- 4** Align the arm assembly (A) with the pilot holes, insert the coach screws (G) through the holes in the arm assembly, then tighten the coach screws only until they are pulled firmly against the arm assembly.

CAUTION: Avoid potential injuries or property damage! DO NOT over-tighten the coach screws (G).



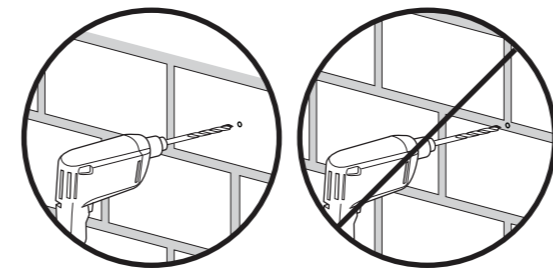
TV shifts 139.7 mm (5-1/2 in.) in. from the home position to full extension.



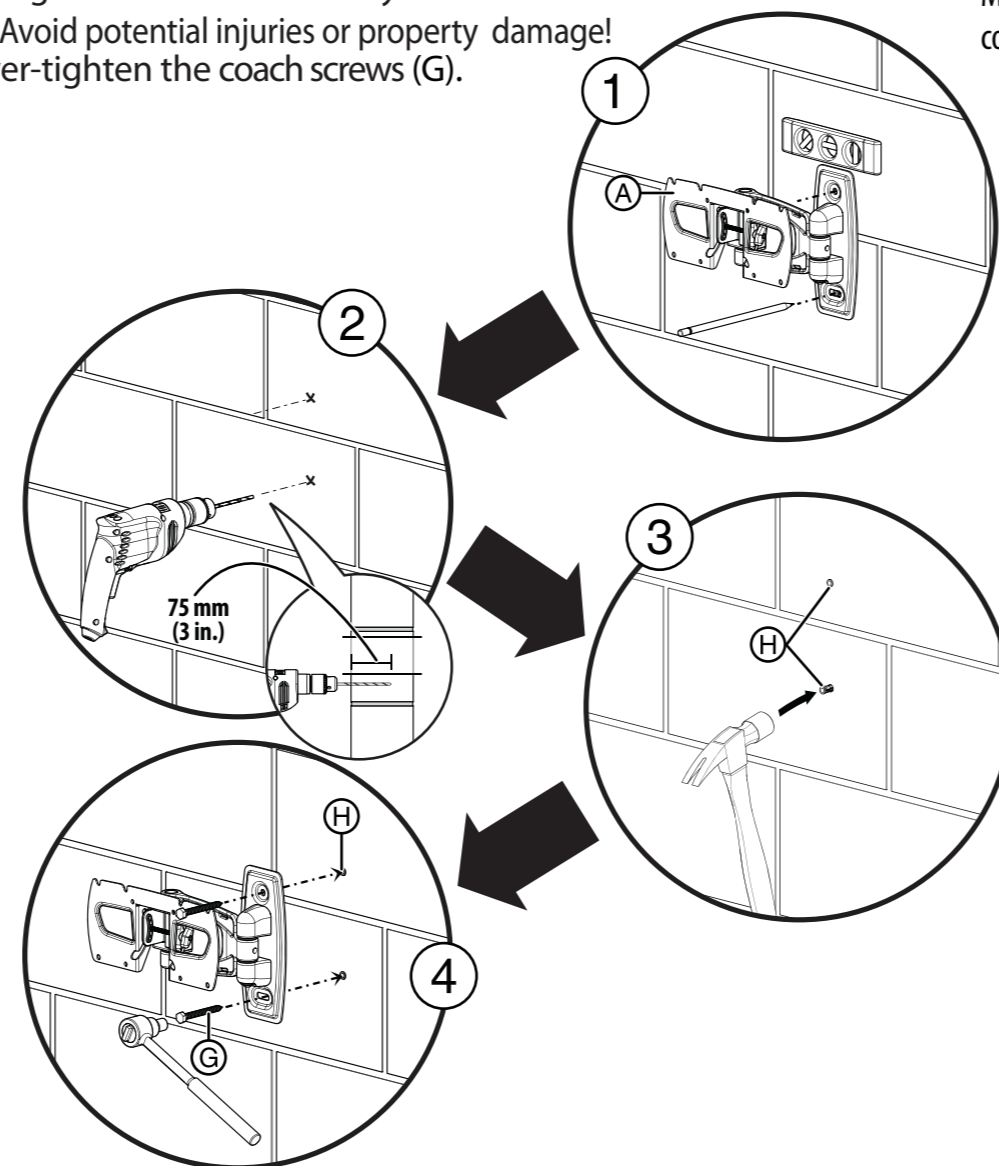
Option 2: Installing to a solid concrete or concrete block wall

- 1** Level the arm assembly (A) and mark the hole locations.
- 2** Drill pilot hole to a depth of 75 mm (3 in.) using a 9.5 mm (3/8 in.) diameter drill bit.
- 3** Insert the concrete wall anchors (H) into the pilot holes and make sure that the anchors are seated flush with the concrete surface.
- 4** Align the arm assembly (A) with the anchors, insert the coach screws (G) through the holes in the arm assembly, then tighten the coach screws only until they are pulled firmly against the arm assembly.

CAUTION: Avoid potential injuries or property damage! DO NOT over-tighten the coach screws (G).



CAUTION: To prevent property damage or personal injury, never drill into mortar between blocks. Mount wall plate directly onto the concrete surface.

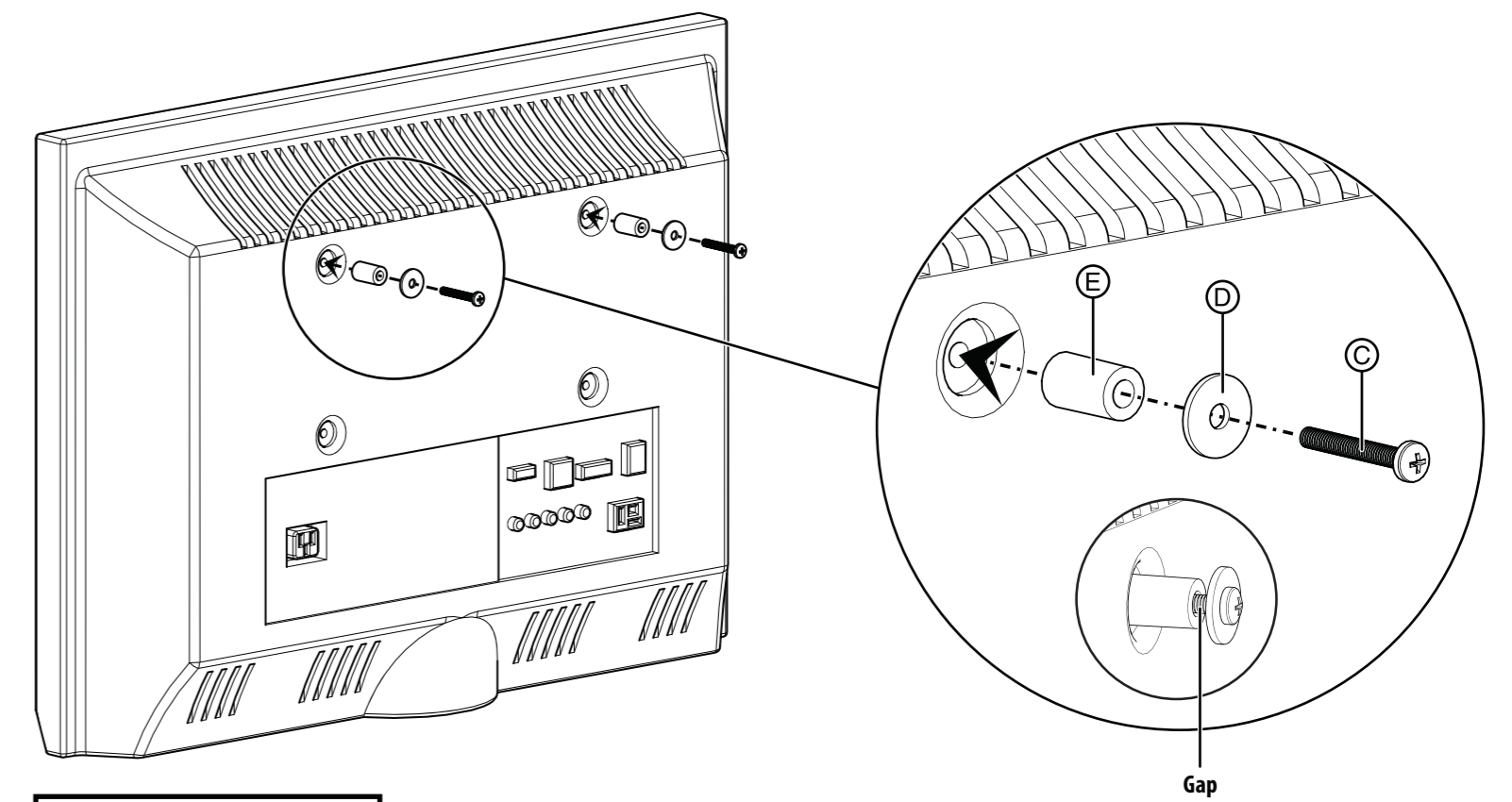


2 Attach the mounting hardware

Option 1: For TVs with inset mounting or that require extra space for wires

Install spacers (E), washers (D), and screws (C) into the top two holes in the back of the TV. Leave a gap between the spacer and the washer and screw.

Note: Only install the hardware in the top two screw holes at this time. The remaining hardware will be installed in Step 3.

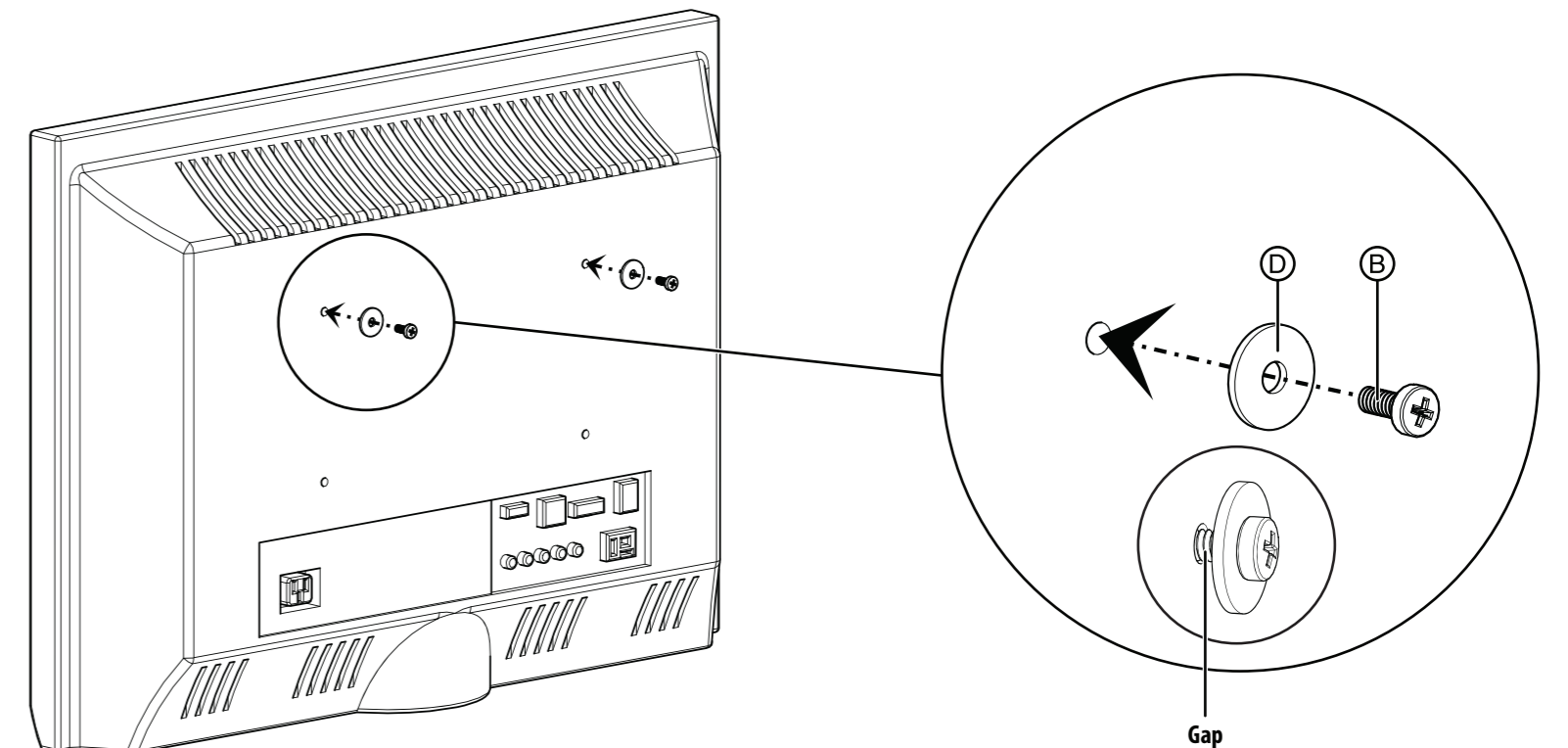


NOTE: If the hole pattern on your TV is 75 mm x 75 mm the washers (D) will not be used.

Option 2: For flat backed TVs

Install washers (D), and screws (B) into the top two holes in the back of the TV. Leave a gap between the back of the TV and the washer and screw.

Note: Only install the hardware in the top two screw holes at this time. The remaining hardware will be installed in Step 3.



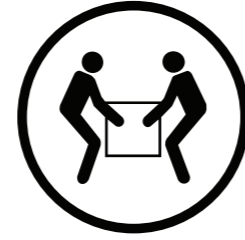
NOTE: If the hole pattern on your TV is 75 mm x 75 mm the washers (D) will not be used.

3 Mount the TV to the arm assembly

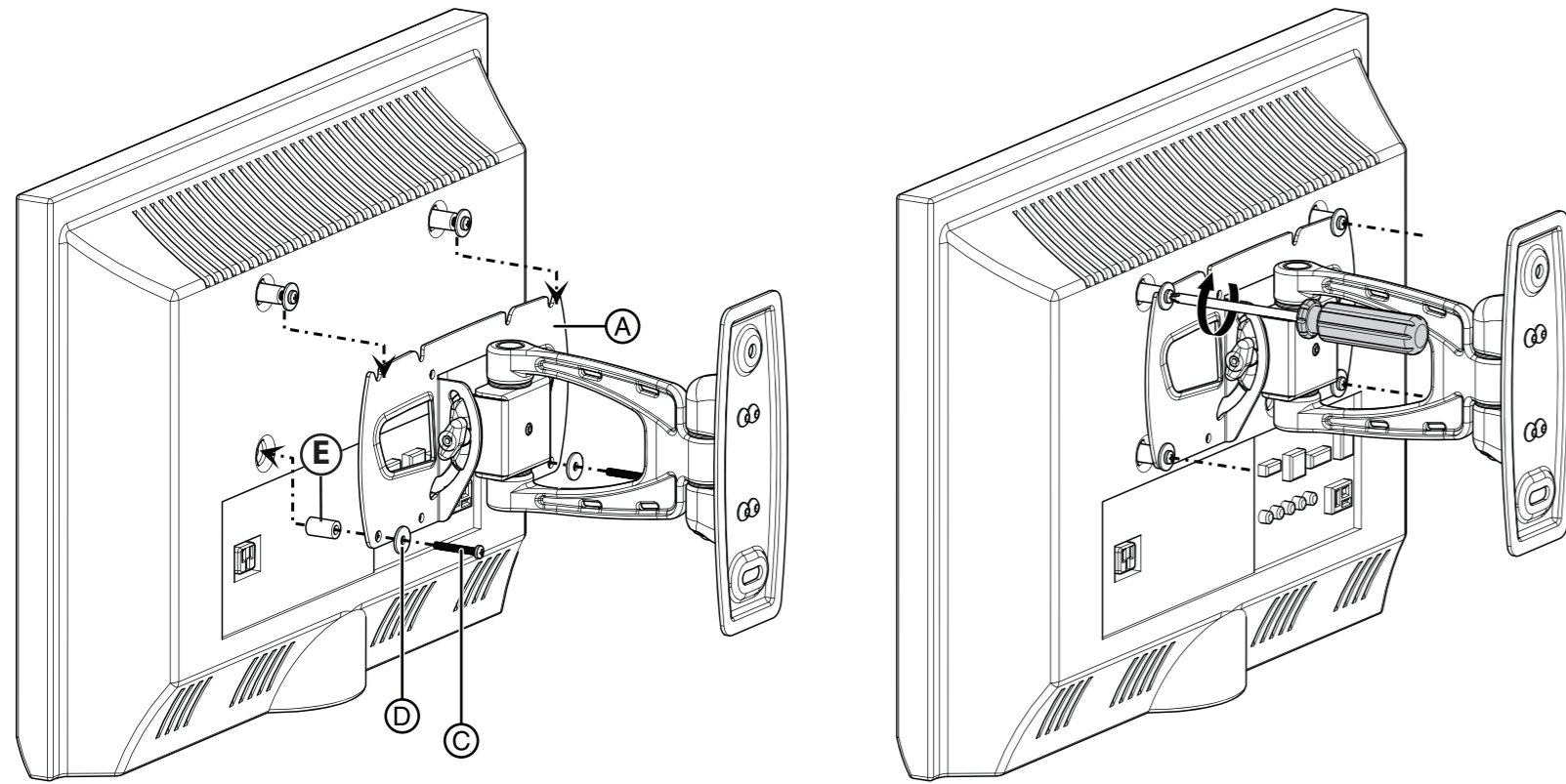
Option 1: For TVs with inset mounting or that require extra space for wires

- 1 Mount the TV by fitting the top spacers, screws, and washers onto the notches in the top of the arm assembly plate.
- 2 Install the bottom spacers (E), screws (C), and washers (D) into the bottom holes.
- 3 Tighten all screws carefully until snug.

NOTE: If the hole pattern on your TV is 75 mm x 75 mm the washers (D) will not be used.



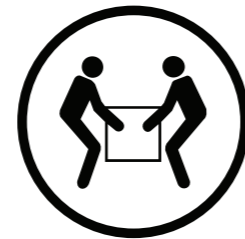
HEAVY! You will need assistance with this step.



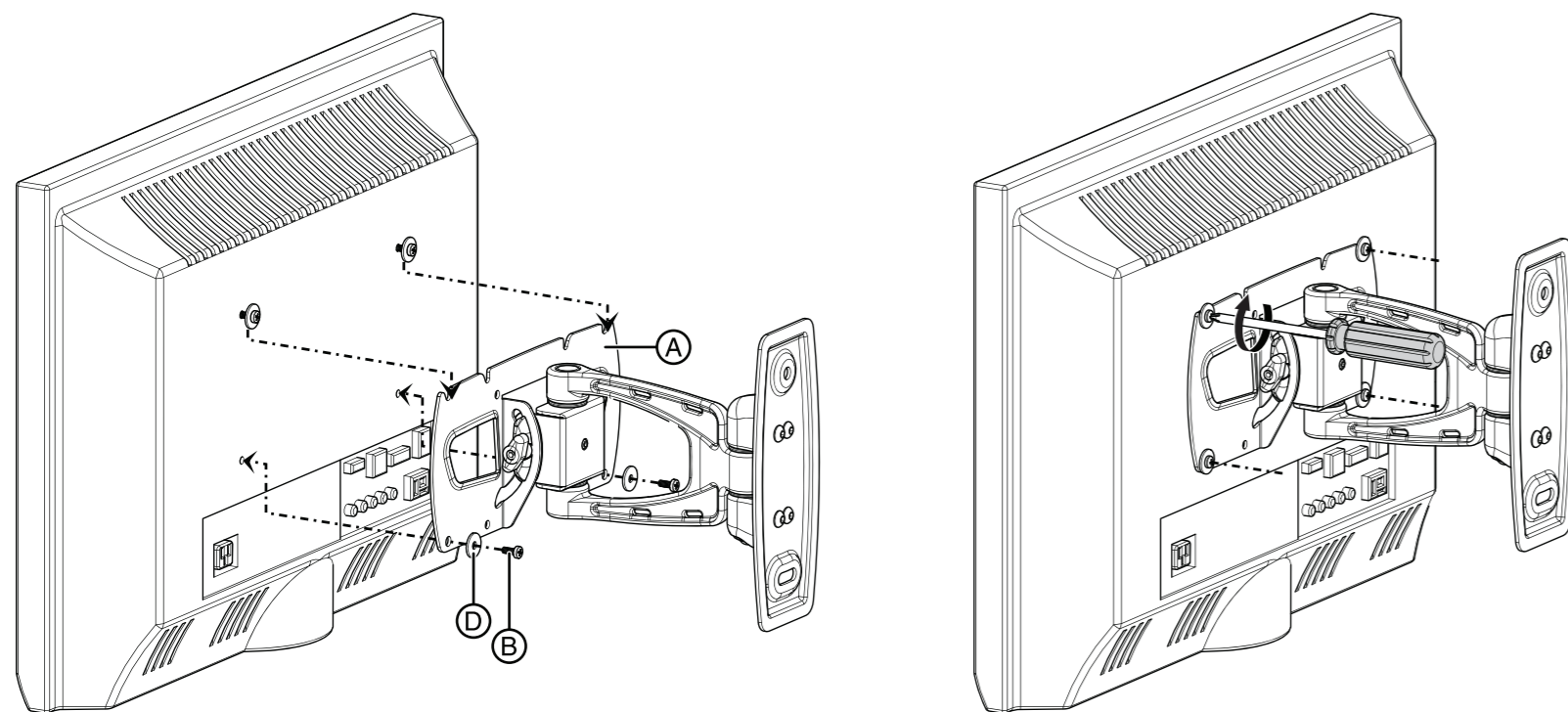
Option 2: For flat backed TVs

- 1 Mount the TV by fitting the top screws and washers onto the notches in the top of the arm assembly plate.
- 2 Install the bottom screws (B) and washers (D) into the bottom holes.
- 3 Tighten all screws carefully until snug.

NOTE: If the hole pattern on your TV is 75 mm x 75 mm the washers (D) will not be used.

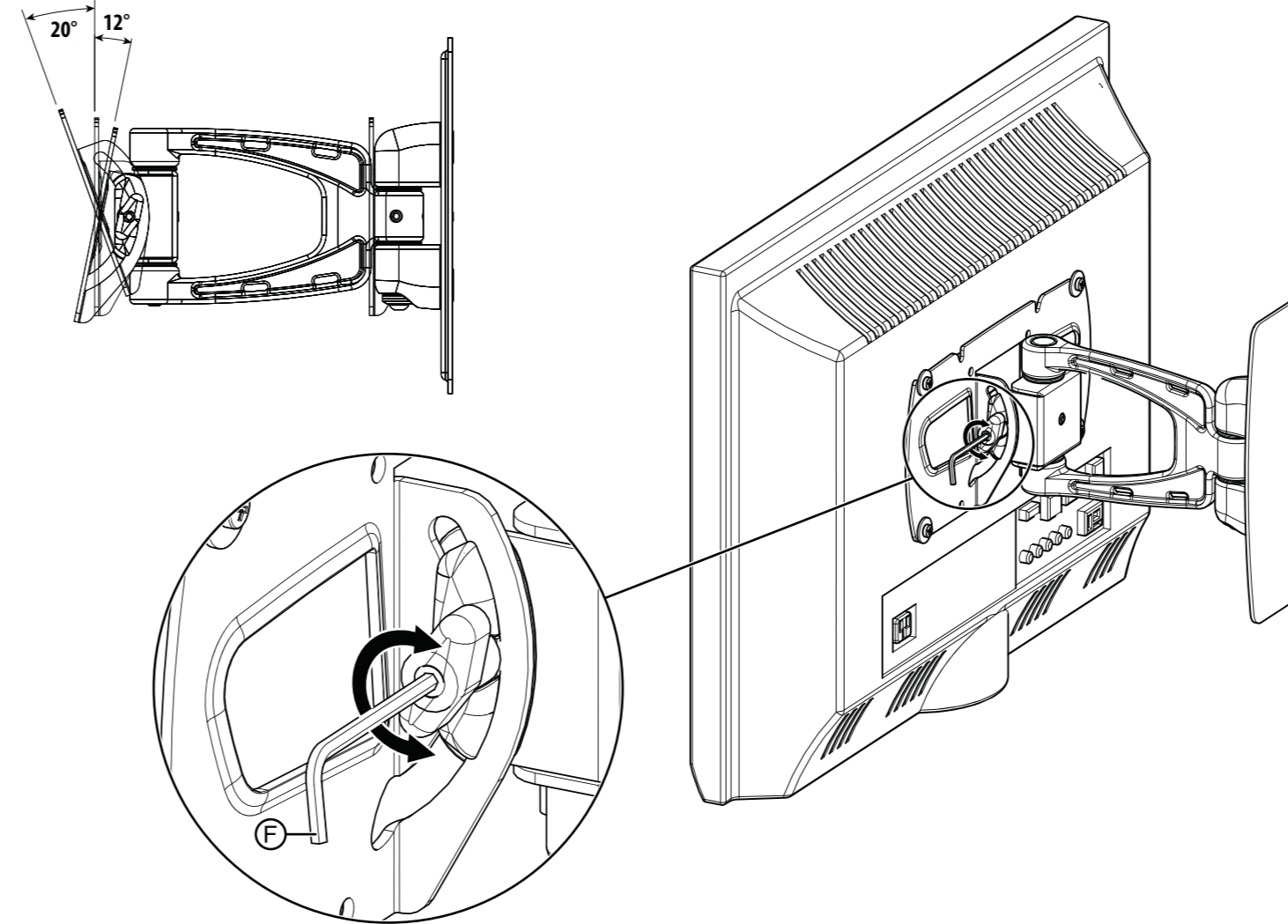


HEAVY! You will need assistance with this step.



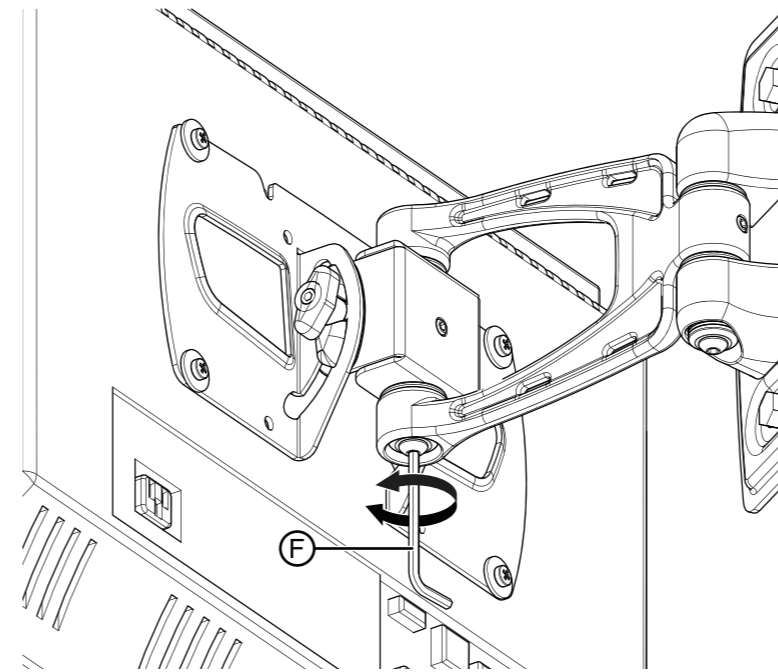
4 Adjust the angle of tilt

If necessary, adjust the tilt tension by hand or by using the hex key (F).



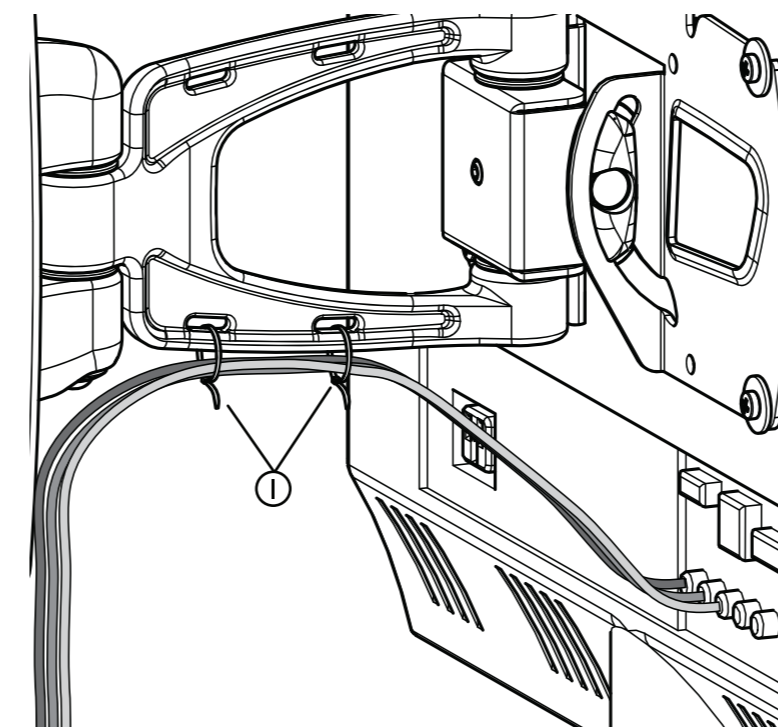
5 Adjust the swivel tension

If necessary, adjust the swivel tension by using the hex key (F).



6 Manage the cables

Use cable ties (I) to bundle and secure the TV cables to the arm assembly.



IMPORTANT SAFETY INSTRUCTIONS SAVE THESE INSTRUCTIONS

CAUTION: Do not use this product for any purpose not explicitly specified by Rocketfish. Improper installation may cause property damage or personal injury. If you do not understand these directions, or have doubts about the safety of the installation, contact Customer Service or call a qualified contractor. Rocketfish is not responsible for damage or injury caused by incorrect installation or use.

The weight of your TV must not exceed 15.8 kg (35 lb.). The wall must be capable of supporting five times the weight of the TV and wall mount combined.

This product contains small items that could be a choking hazard if swallowed. Keep these items away from young children!

5-year limited warranty

Visit www.rocketfishproducts.com for details.

We're here for you

www.rocketfishproducts.com

For customer service, call:

0800 389 1120

© 2011 BBY Solutions, Inc., All Rights Reserved.

© 2011 Best Buy UK Distributions Limited. All rights reserved. Distributed

by Best Buy Europe Distributions Limited, 1 Portal Way, London W3 6RS

ROCKETFISH is a trademark of BBY Solutions, Inc. Registered in some

countries. All other products and

brand names are trademarks of their respective owners

6907-002029 <00>